

ROUTER TABLE



ASSEMBLY AND OPERATING INSTRUCTION



PRODUCT SPECIFICATIONS

Item	Description	
Electrical Requirements	120V / 60Hz /	230V / 50Hz /
	1500Watts / 5.0 Load Amps	1500Watts / 4.0 Load Amps
	2.0 HP Motor / 8,000-26,000 RPM Variable Speed 3- Prong, Grounded Power Plug	
Table Dimensions	23-1/2" Wide X 18" Deep	
Table Height	14"	
Overall Height	18"	
Cutting Depth	1-1/2"	
Collet Capacity	1/4" & 1/2"	
Accessories	1/4" Collet / 1/2 Collet / Mitre Gauge Guide Fence / Feather Board / Wrench	
Weight	23.0kgs	

UNPACKING

When unpacking, check to make sure all the parts shown on the **Parts Lists on the end** are included. If any parts are missing or broken, please find the contact us as soon as possible, or return the goods.

SAVE THIS MANUAL

You will need this manual for the safety warnings and precautions assembly, operating, inspection, maintenance and cleaning procedures, parts list and assembly diagram. Keep your invoice with this manual. Write the invoice number on the inside of the front cover. Keep this manuals and invoice in a safe and dry place for future reference.

GENERAL SAFETY RULES

WARNING

READ AND UNDERSTAND ALL INSTRUCTIONS
Failure to follow all instruction listed below may result in
electric shock, fire and/or serious injury.
SAVE THESE INSTRUCTIONS

1. **Keep your work area clean and well lit.** Cluttered benches and dark areas invite accidents.
2. **Do not operate power tools in explosive atmospheres, such as in the presence of flammable liquids, gases, or dust.** Power tools create sparks which may ignite the dust or fumes.

3. **Keep bystanders, children, and visitors away while operating a power tool.** Distractions can cause you to lose control. Protect others in the work area from debris such as chips and sparks. Provide barriers or shields as needed.

ELECTRICAL SAFETY

4. **Grounded tools must be plugged into an outlet properly installed and grounded in accordance with all codes and ordinances. Never remove the grounding prong or modify the plug in any way. Do not use any adapter plugs. Check with a qualified electrician if you are in doubt as to whether the outlet is properly grounded.** If the tools should electrically malfunction or break down, grounding provides a low resistance path to carry electricity away from the user.
5. **Avoid body contact with grounded surfaces such as pipes, radiators, ranges, and refrigerators.** There is an increased risk of electric shock if your body is grounded.
6. **Do not expose power tools to rain or wet conditions.** Water entering a power tool will increase the risk of electric shock.
7. **Do not abuse the Power Cord. Never use the Power Cord to carry the tools or pull the Plug from an outlet. Keep the Power Cord away from heat, oil, sharp edges, or moving parts. Replace damaged Power Cords immediately.** Damaged Power Cords increase the risk of electric shock.
8. **When operating a power tool outside, use an outdoor extension cord marked "W-A" or "W".** These extension cords are rated for outdoor use, and reduce the risk of electric shock.

PERSONAL SAFETY

9. **Stay alert. Watch what you are doing, and use common sense when operating a power tool. Do not use a power tool while tired or under the influence of drugs, alcohol, or medication.** A moment of inattention while operating power tools may result in serious personal injury.

10. **Dress properly. Do not wear loose clothing or jewelry. Contain long hair. Keep your hair, clothing, and gloves away from moving parts.** Loose clothes, jewelry, or long hair can be caught in moving parts.
11. **Avoid accidental starting. Be sure the Power Switch is off before plugging in.** Carrying power tools with your finger on the Power Switch, or plugging in power tools with the Power Switch on, invites accidents.
12. **Remove adjusting keys or wrenches before turning the power tool on.** A wrench or a key that is left attached to a rotating part of the power tool may result in personal injury.
13. **Do not overreach. Keep proper footing and balance at all times.** Proper footing and balance enables better control of the power tool in unexpected situations.
14. **Use safety equipment. Always wear eye protection.** Dust mask, non-skid safety shoes, hard hat, or hearing protection must be used for appropriate conditions.

TOOL USE AND CARE

15. **Use clamps (not included) or other practical ways to secure and support the workpiece to a stable platform.** Holding the work by hand or against your body is unstable and may lead to loss of control.
16. **Do not force the tool. Use the correct tool for your application.** The correct tool will do the job better and safer at the rate for which it is designed.
17. **Do not use the power tool if the Power Switch does not turn it on or off.** Any tool that cannot be controlled with the Power Switch is dangerous and must be replaced.
18. **Disconnect the Power Cord Plug from the power source before making any adjustments, changing accessories, or storing the tool.** Such preventive safety measures reduce the risk of starting the tool accidentally.
19. **Store idle tools out of reach of children and other untrained persons.** Tools are dangerous in the hands of untrained users.
20. **Maintain tools with care. Keep cutting tools sharp and clean.** Properly maintained tools with a sharp cutting edge are less likely to bind and are easier to control. Do not use a damaged tool. Tag damaged tools "Do not use" until repaired.

21. **Check for misalignment or binding of moving parts, breakage of parts, and any other condition that may affect the tool's operation. If damaged, have the tool serviced before using.** Many accidents are caused by poorly maintained tools.
22. **Use only accessories that are recommended by the manufacturer for your model.** Accessories that may be suitable for one tool may become hazardous when used on another tool.




SERVICE

23. **Tool service must be performed only by qualified repair personnel.** Service or maintenance performed by unqualified personnel could result in a risk of injury.
24. **When servicing a tool, use only identical replacement parts. Follow instructions in the "Inspection, Maintenance, And Cleaning" section of this manual.** Use of unauthorized parts or failure to follow maintenance instructions may create a risk of electric shock or injury.

SPECIFIC SAFETY RULES

1. **Maintain a safe working environment.** Keep the work area well lit. Make sure there is adequate surrounding workspace. Always keep the work area free of obstructions, grease, oil, trash, and other debris. Do not use the Router Table in areas near flammable chemicals, dusts, and vapors. Do not use this product in a damp or wet location.
2. **Maintain labels and nameplates on the Router.** These carry important information. If unreadable or missing, contact Harbor Freight Tools for a replacement.
3. **Do not force the equipment.** This Router will do the work better and safer at the speed and capacity for which it was designed.
4. **Keep all guards in place and in working order.**
5. **Remove all adjusting wrenches from the Router before turning it on.**
6. **Do not abuse the Power Cord.** Do not use the Power Cord to pull its Plug from an electrical outlet. Keep the Power Cord away from heat, oil, sharp edges, and moving parts. Route the Power Cord safely. Protect the Power Cord from being damaged by other equipment in the work area. Do not route the Power Cord where it can be walked on or tripped over. Replace a damaged Power Cord immediately.

7. **Make sure the Power Switch is in the “OFF” position before plugging in the Power Cord.**
8. **Do not use this Router for cutting metals or brittle materials.** Do not cut dangerous materials, such as asbestos which can cause harmful dust or vapors.
9. **Before using the Router, make sure the router bit (not included) is properly mounted.** Make sure the router bit is not bent or cracked.
10. **Allow the router bit to spin up to full speed before feeding wood into it.** When turning off the Router, allow the router bit to spin down and stop on its own. Do not press against the router bit to stop it.
11. **Do not force the material into the router bit when cutting.** Apply moderate pressure, allowing the router bit to cut without being forced.
12. **Never attempt to remove material stuck in the moving parts of the Router while the machine is plugged in and running.**
13. **Whenever possible, use safe, practical ways to hold and support the workpiece.**
14. **Turn off the Router if the material is to be backed out of an uncompleted cut.**
15. **Avoid serious personal injury. Always keep hands and fingers away from the spinning router bit.**
16. **Store idle equipment. When not in use, tools and equipment should be stored in a dry location to inhibit rust.** Always lock up tools and equipment, and keep out of reach of children.
17. **Use eye, hearing, and breathing protection.** Always wear ANSI approved safety impact eye goggles, hearing protectors, and dust masks or respirator when working with the Router Table.
18. **Do not use this product if under the influence of alcohol or drugs.** Read warning labels on prescriptions to determine if your judgement or reflexes are impaired while taking drugs. If there is any doubt, do not attempt to use this product.
19. **Industrial applications must follow OSHA requirements.**
20. **Never leave the Router running unattended.** Turn off the power, and do not leave the machine until it comes to a complete stop.

21. **Maintain this product with care.** Keep the Router clean and dry for better and safer performance. Make sure to keep router bits sharp and clean. For your safety, service and maintenance should be performed regularly by a qualified technician.
22. **Use the right tool or attachment for the right job.** Do not attempt to force a small tool or attachment to do the work of a larger industrial tool or attachment. There are certain applications for which this product was designed. It will do the job better and more safely at the rate for which it was intended. Do not modify this product, and do not use this product for a purpose for which it was not intended.
23. **Always keep children away from the Router.** All visitors should be kept a safe distance away from the machine. Make the workshop “kid proof” with padlocks, master switches, or by removing the starter keys.
24. **Never stand on the Router Table.** Serious personal injury can result if the machine is tipped or if the router bit is unintentionally contacted.
25. **Make sure to feed the workpiece into the router bit and against the rotation of the router bit.**
26. **Always turn off the Router and unplug the Power Cord from its electrical outlet before changing accessories or performing any inspection, maintenance, or cleaning procedures.**
27.  **WARNING!** Some dust created by power sanding, sawing, grinding, drilling, and other construction activities, contain chemicals known (to the State of California) to cause cancer, birth defects or other reproductive harm. Some examples of these chemicals are: lead from lead-based paints, crystalline silica from bricks and cement or other masonry products, arsenic and chromium from chemically treated lumber. Your risk from these exposures varies, depending on how often you do this type of work. To reduce your exposure to these chemicals: work in a well ventilated area, and work with approved safety equipment, such as those dust masks that are specially designed to filter out microscopic particles. *(California Health & Safety Code 25249.5, et seq.)*
28.  **WARNING!** People with pacemakers should consult their physician(s) before using this product. Electromagnetic fields in close proximity to a heart pacemaker could cause interference to or failure of the pacemaker.
29.  **WARNING!** The warnings, precautions, and instructions discussed in this manual cannot cover all possible conditions and situations that may occur. The operator must understand that common sense and caution are factors which cannot be built into this product, but must be supplied by the operator.

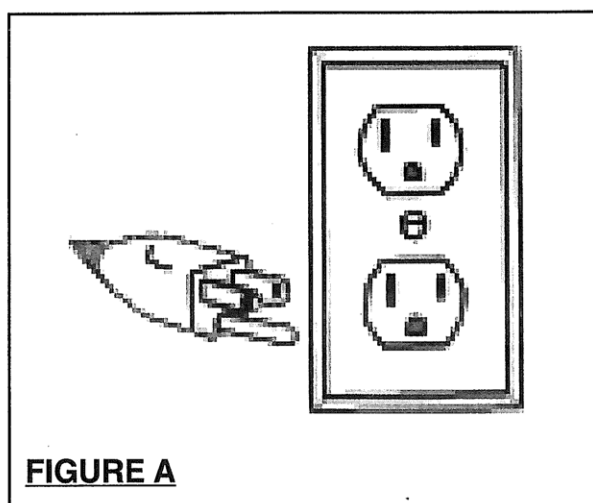
GROUNDING

WARNING!

Improperly connecting the grounding wire can result in the risk of electric shock. Check with a qualified electrician if you are in doubt as to whether the outlet is properly grounded. Do not modify the power cord plug provided with the tool. Never remove the grounding prong from the plug. Do not use the tool if the power cord or plug is damaged. If damaged, have it repaired by a service facility before use. If the plug will not fit the outlet, have a proper outlet installed by a qualified electrician.

GROUNDING TOOLS: TOOLS WITH THREE PRONG PLUGS

1. Tools marked with "Grounding Required" have a three wire cord and three prong grounding plug. The plug must be connected to a properly grounded outlet. If the tool should electrically malfunction or break down, grounding provides a low resistance path to carry electricity away from the user, reducing the risk of electric shock. **(See Figure A.)**
2. The grounding prong in the plug is connected through the green wire inside the cord to the grounding system in the tool. The green wire in the cord must be the only wire connected to the tool's grounding system and must never be attached to an electrically "live" terminal. **(See Figure A.)**
3. Your tool must be plugged into an appropriate outlet, properly installed and grounded in accordance with all codes and ordinances. The plug and outlet should look like those in the following illustration. **(See Figure A.)**



EXTENSION CORDS

1. **Grounded** tools require a three wire extension cord.
2. As the distance from the supply outlet increases, you must use a heavier gauge extension cord. Using extension cords with inadequately sized wire causes a serious drop in voltage, resulting in loss of power and possible tool damage. **(See Figure C.)**
3. The smaller the gauge number of the wire, the greater the capacity of the cord. For example, a 14 gauge cord can carry a higher current than a 16 gauge cord. **(See Figure C.)**
4. When using more than one extension cord to make up the total length, make sure each cord contains at least the minimum wire size required. **(See Figure C.)**
5. If you are using one extension cord for more than one tool, add the nameplate amperes and use the sum to determine the required minimum cord size. **(See Figure C.)**
6. If you are using an extension cord outdoors, make sure it is marked with the suffix "W-A" ("W" in Canada) to indicate it is acceptable for outdoor use.
7. Make sure your extension cord is properly wired and in good electrical condition. Always replace a damaged extension cord or have it repaired by a qualified electrician before using it.
8. Protect your extension cords from sharp objects, excessive heat, and damp or wet areas.

RECOMMENDED MINIMUM WIRE GAUGE FOR EXTENSION CORDS* (120 VOLT)					
NAMEPLATE AMPERES (At Full Load)	EXTENSION CORD LENGTH				
	25 Feet	50 Feet	75 Feet	100 Feet	150 Feet
0 – 2.0	18	18	18	18	16
2.1 – 3.4	18	18	18	16	14
3.5 – 5.0	18	18	16	14	12
5.1 – 7.0	18	16	14	12	12
7.1 – 12.0	18	14	12	10	-
12.1 – 16.0	14	12	10	-	-
16.1 – 20.0	12	10	-	-	-

* Based on limiting the line voltage drop to five volts at 150% of the rated amperes.

FIGURE C

SYMBOLOLOGY


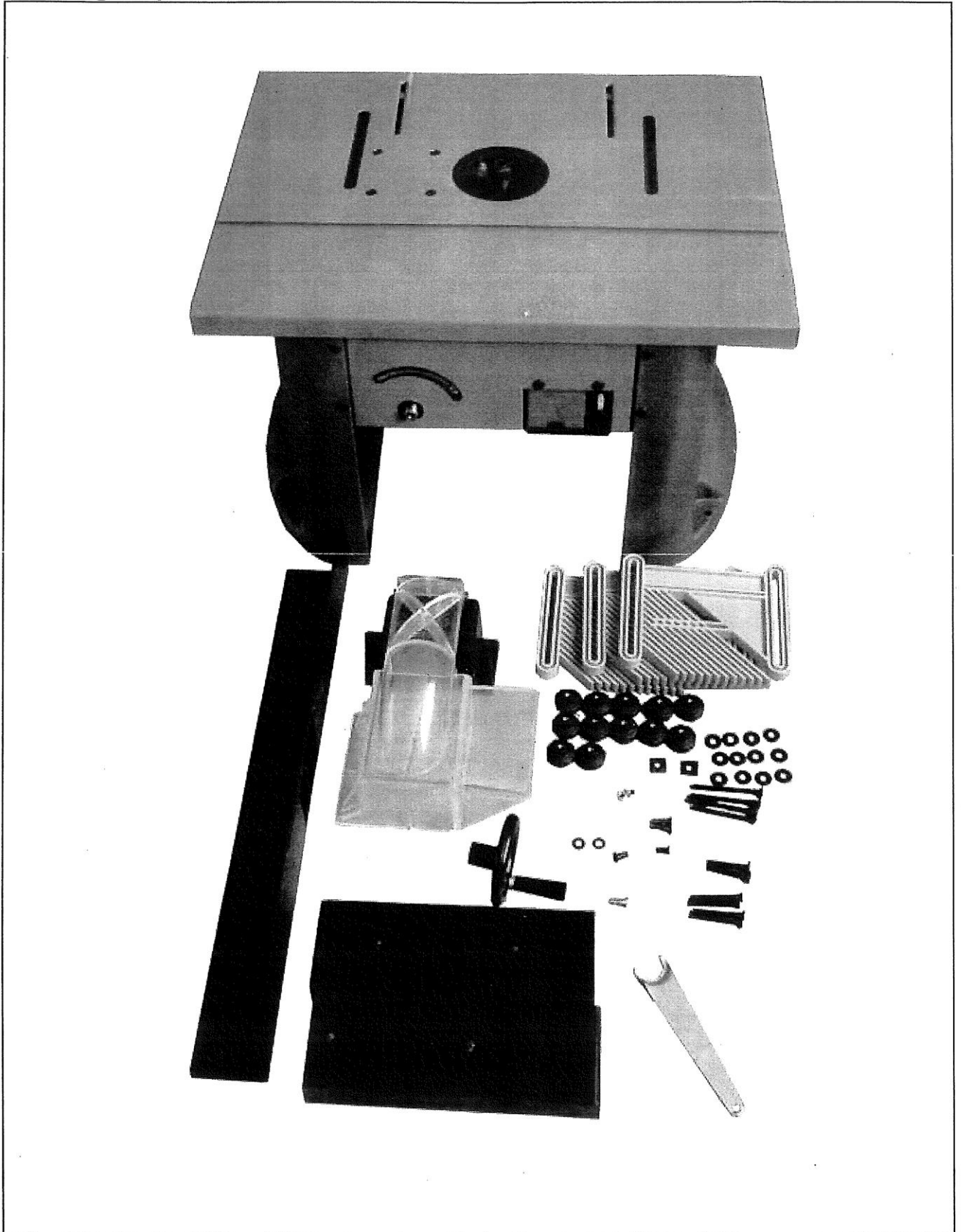
	Canadian Standards Association
	Underwriters Laboratories, Inc.
V ~	Volts Alternating Current
A	Amperes
n_o <u>xxxx</u> /min.	No Load Revolutions per Minute (RPM)

FIGURE D

Checking List

Checking the parts as the below Picture.

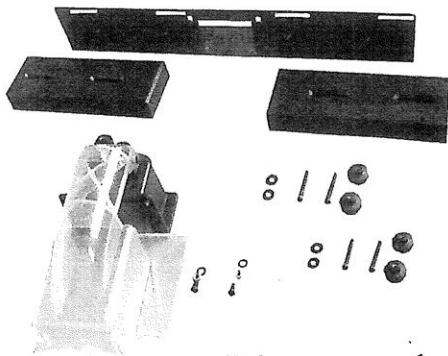


ASSEMBLY INSTRUCTIONS

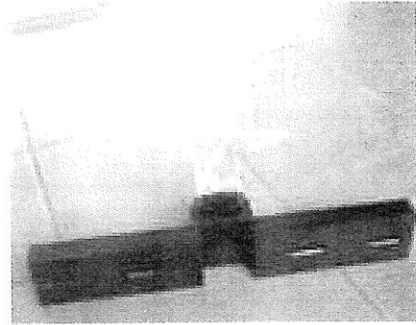
NOTE: For additional references to this parts listed in the end of pages.

To Assemble The Fence:

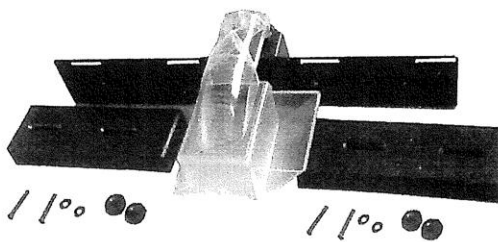
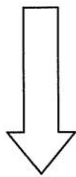
1. Find all the parts from the inner carton, and assemble them;
2. Put the assembled Fence in the Table; (See the below Figure)



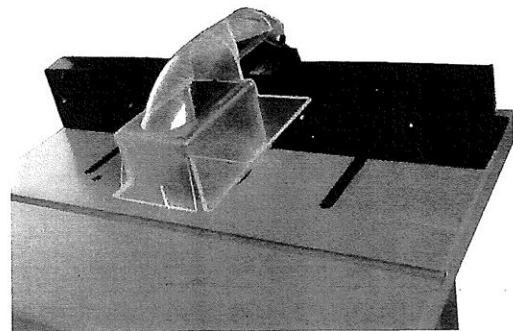
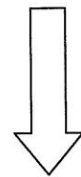
Picture A



Picture C



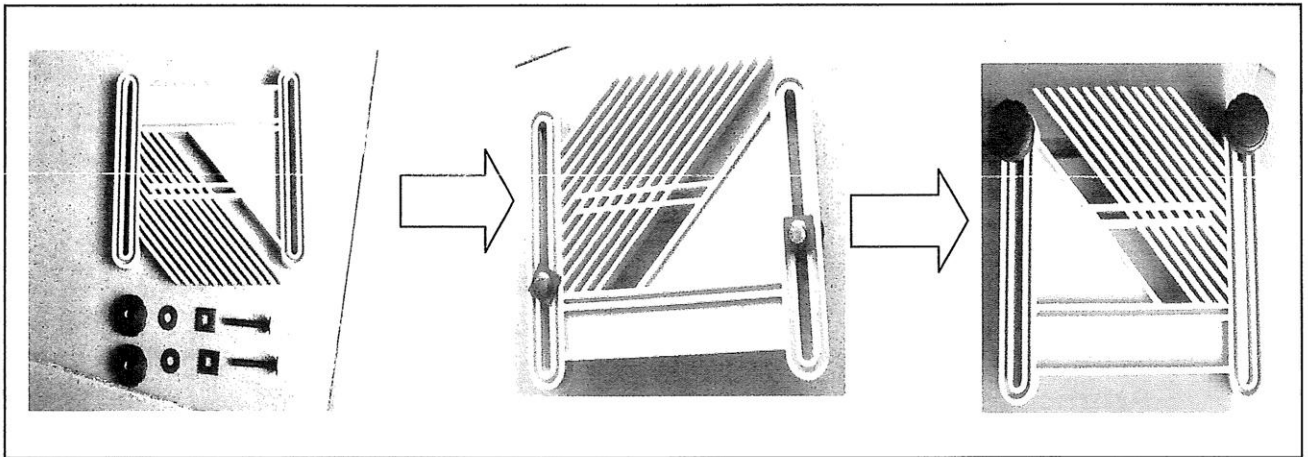
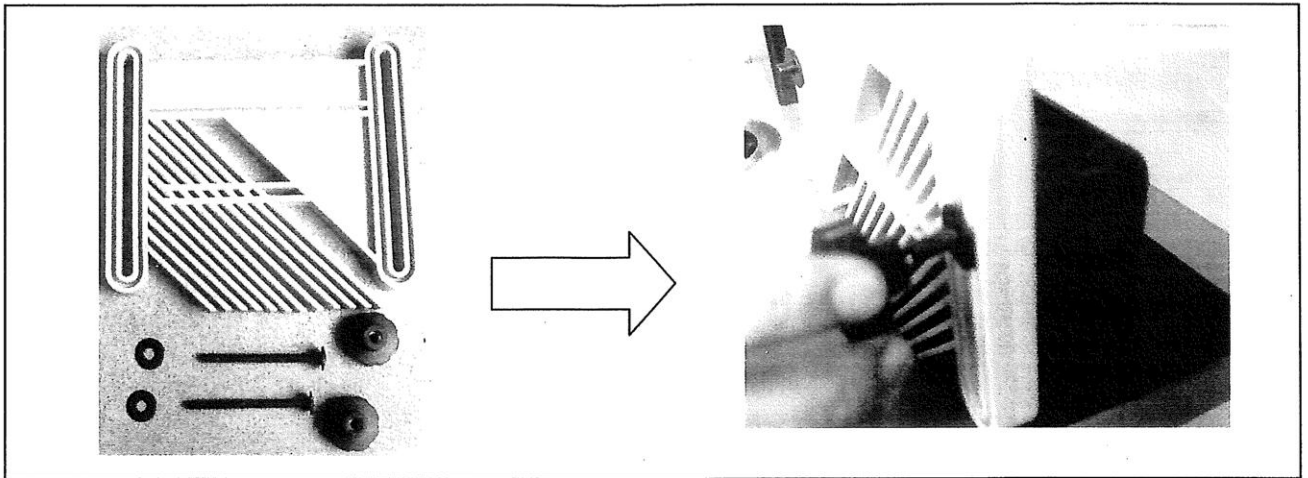
Picture B



Picture D

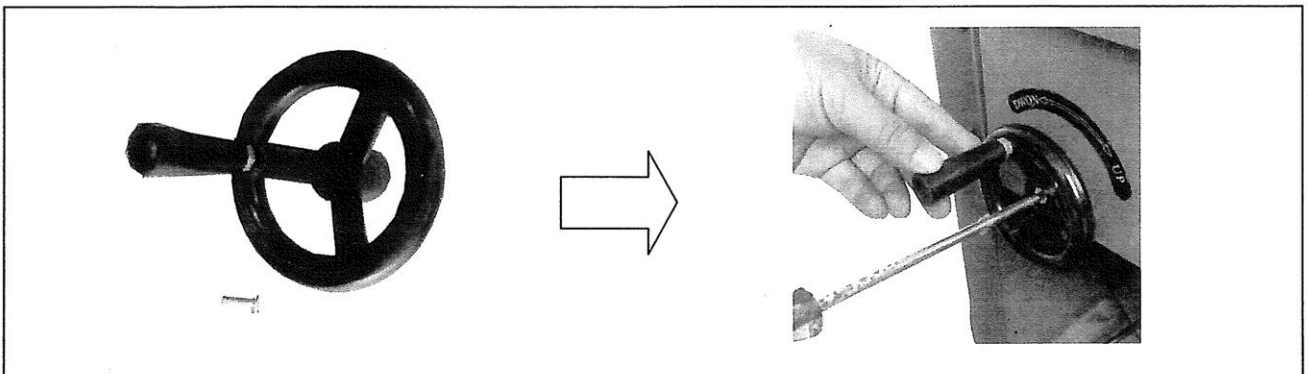
To Attach the Feathers

1. Find all the parts from the inner carton;
2. Attach the Feathers in the both side of Fences.(See the below Figure)



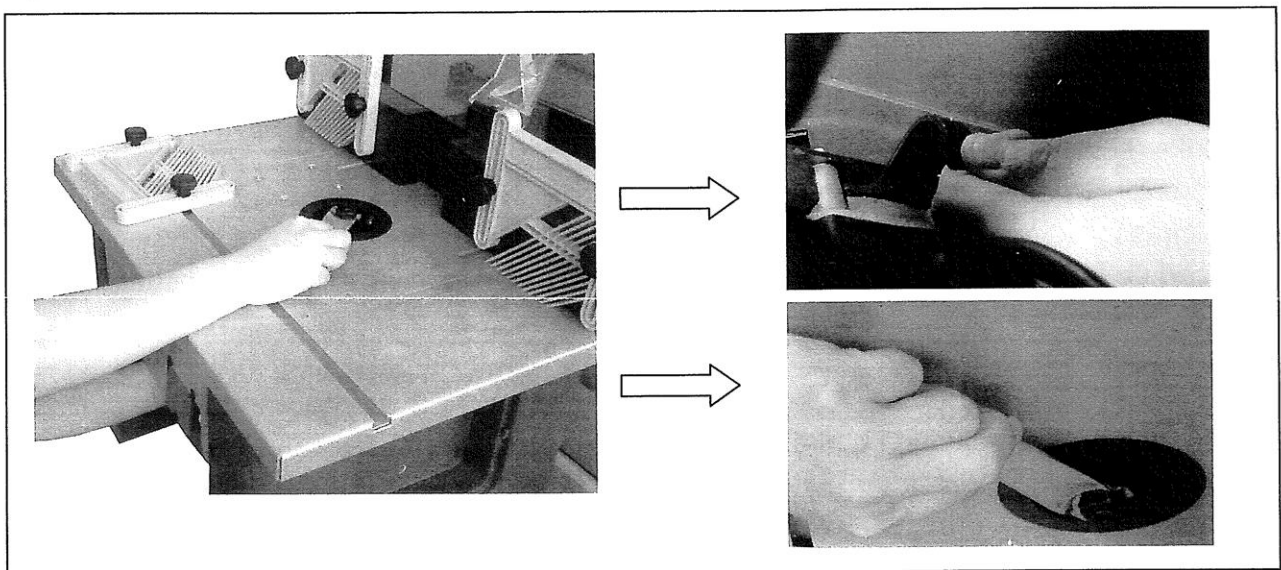
To Assemble the Hand Wheel

1. Find all the parts in the inner carton;
2. Assemble the Hand wheel; (See the below Figure)



To Install And Remove Collets:

1. **Warning! Always make sure the Power Switch is in its "OFF" position and the Power Cord/Plug is unplugged from its electrical outlet before making any adjustments to the Router Table.**
2. The Router is equipped with a 1/4" and a 1/2" Collets.
3. The Collets may need to be changed to allow use of larger or smaller diameter router bits (not included).
4. NOTE: When changing Collets or When changing router bits, the height of the Motor Assembly should be raised to the maximum height to gain full access to the Collet Nut (It should be over the table).
5. Turn the Hand Wheel in a clockwise direction to adjust the Height of Router shaft over the table, using the Wrench to turn the Collect Nut in a counterclockwise direction.. Then remove the Collect Nut.



6. Remove the existing Collets from the assembly, and make sure to install the correct size Collets (1/4" or 1/2") for the router bit to be used. Then Finger tightens the Collets Nut back onto the assembly.
7. Make sure to insert the shaft of the router bit all the way into the Collets.
8. Tighten the collets while screwing the Collets Nut in a clockwise direction.

To Adjust The Speed (RPM)

1. **NOTE:** Using the correct speed for the job increases the life of the router bit and can also affect the surface finish on the workpiece being cut. The Router Table Features a Variable Speed Adjustment and may be adjusted from approximately 8400 RPM to 27, 800 RPM (No-load);
2. The Dial of the Variable Speed Adjustment is numbered from 1 to 6, with 1 being the Slowest Speed and 6 being the Fastest Speed. It is recommended to determine the

optimum speed by making a trial cut in a scrap piece of wood.

3. **IMPORTANT:** Do not attempt to adjust the speed while the Router Table is running. Turning off the machine, and allow it to come to a complete stop before adjusting the speed.

To Turn On The Router Table:

1. Connect the Power Cord/Plug to the nearest grounded.
2. Depress the Key and lift up on the Safety Cover. Then depress the Power Switch to its "ON" position.
3. To turn off the Router Table, simply prevent unauthorized use, close the Safety Cover and remove the Key by pulling it out. Make sure to store the Key in a safe location out of reach of children.

To Operate The Router Table:

1. Insert and secure the desired Collets and Router bit.
2. Make all necessary adjustments to the router Table.
3. Make sure the Power Switch is in its "OFF" position. Then connect the Power Cord/Plug to the nearest grounded.
4. Depress the Power Switch to its "On" position.
5. Feed the workpieces gradually from right to left against the rotation of the cutter. Keep the feed rate constant. Feeding the workpiece too quickly will slow the motor of the machine. Feeding the workpieces too slowly will cause burns to the workpiece.
6. On very hard wood or large cuts it may be necessary to make more than one pass at progressive depth setting until the desired depth of cut is made.
7. When finished, depress the Safety cover to turn off the Router Table, Then, unplug the Power Cord/Plug from its electrical outlet.

INSPECTION, MAINTENANCE AND CLEANING

1. **CAUTION! Always turn the Power Switch to its "STOP" position and unplug the Power Cord from its electrical outlet before performing any inspection, adjustments, maintenance, or cleaning.**
2. **BEFORE EACH USE,** inspect the general condition of the Router Table. Check for loose screws, misalignment or binding of moving parts, cracked or broken parts, damaged electrical wiring, loose router bit, and any other condition that may affect its safe operation. If abnormal noise or vibration occurs, have the problem corrected before further use. **Do not use damaged equipment.**
3. **DAILY:** With a soft brush, cloth, or vacuum, remove all sawdust and debris from the Router Table, particularly, the machine's Dust Port and Main Table, Then use a premium quality, lightweight machine oil to lubricate all moving parts. **Do not use solvents or caustic agents to clean the Router Table.**

TABLE PARTS

	ART. NUMBER		Q' TY		ART. NUMBER		Q' TY
A1	10250027	TABLE COMPONENTS	1	A18	30200006	BASE OF PROTECTOR	1
A2	20250002	SLIDING GUIDE	1	A19	50010035	M6 WASHERS	10
A3	50010030	COLUMNED PIN	1	A20	50060023	M6 NYLON NUTS	10
A4	50020019	M6X30 SCREWS	3	A21	50040068	M5X25 SCREWS	1
A5	10060021	POINTER	1	A22	10230031	TURNING SHAFT	1
A6	50040070	M5X6 SCREWS	1	A23	50060022	M5 NYLON NUTS	1
A7	50060015	M6 NUTS	13	A24	10130041	FENCE FRAME	1
A8	30080037	COVER OF SMALL KNOB	13	A25	10250026	LEADING PIECES	2
A9	30080035	BODY OF SMALL KNOB	13	A26	50020023	M6X20 SCREWS	2
A10	50010084	BIG WASHERS	13	A27	50040067	M6X16 SCREWS	8
A11	30200016	ANGLE BOARD	1	A28	30200003	STANDERS	2
A12	30200027	FEATHER	3	A29	10130003	BACK PANEL	1
A13	50020034	M6X70 SCREWS	4	A30	30200064	TABLE INSERT	1
A14	50020033	M6X50 SCRES	4	A31	10250030	FRONT PANEL	1
A15	30140001	BLOCK BOARDS	2	A32	50070048	M6X12 SCREWS	8
A16	30200005	PROTECTOR	1	A33	50010081	M6 SPRING WASHERS	8
A17	50050047	SCREWS	2	A34		M6X30 SCREWS	2

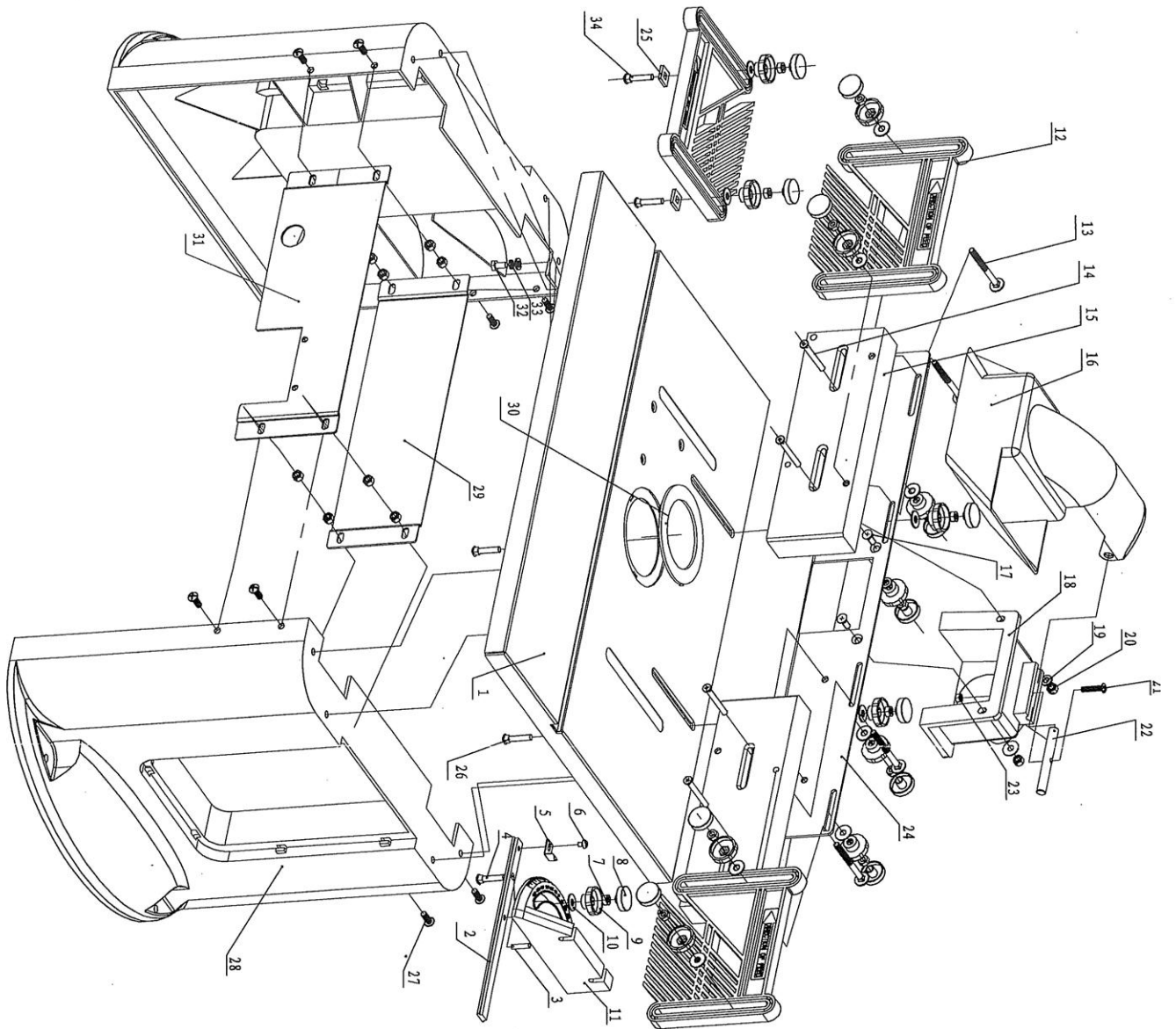
SWITCH BOX PARTS

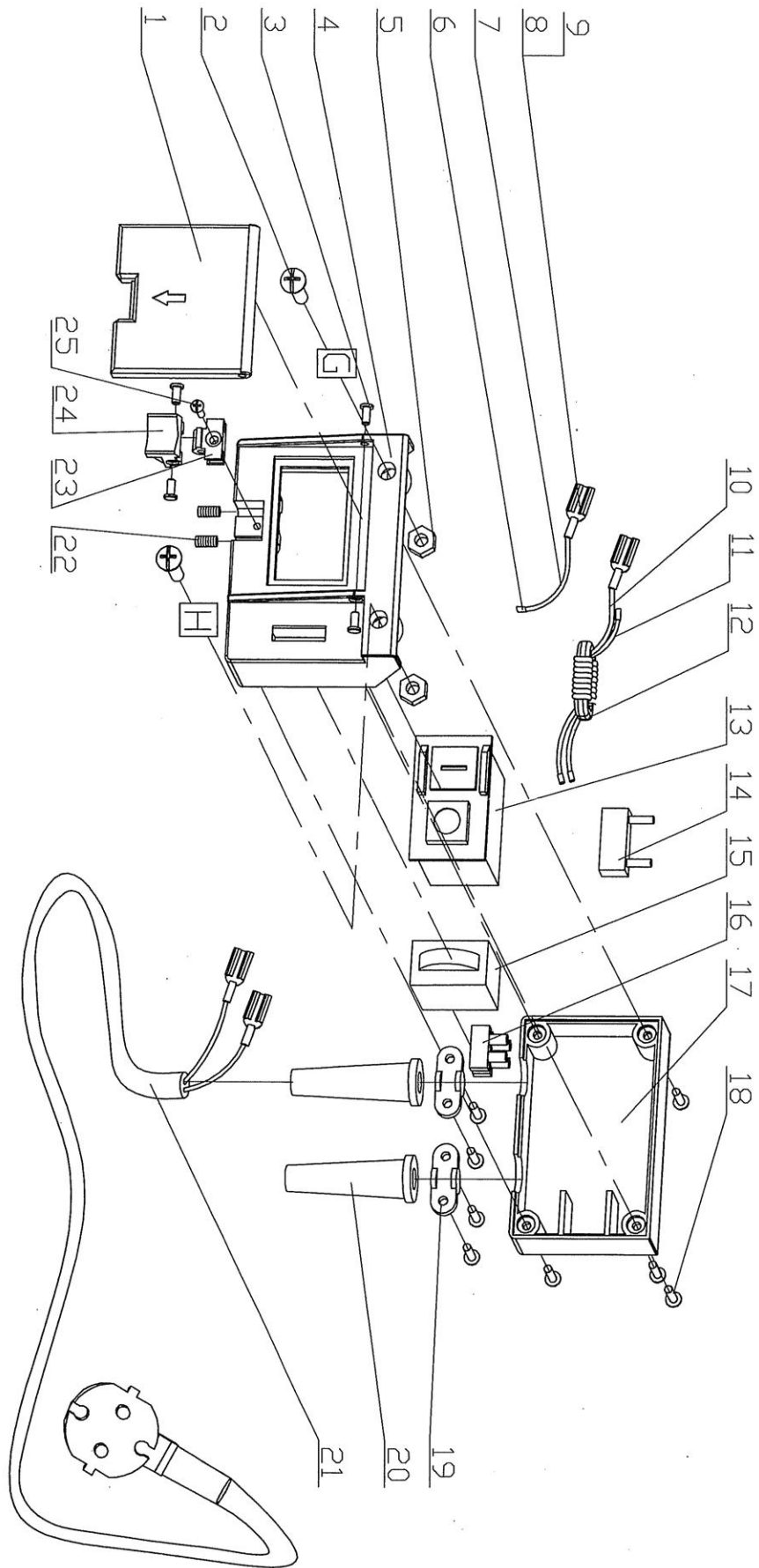
C1	30130009	EMERGENCY STOP	1	C14	50220055	CAPACITOR	1
C2	50040067	M6X16 SCREWS	2	C15	50160007	SPEED CONTROLLER	1
C3	30130006	PLASTIC NAIL	4	C16	50230028	TERMINAL BLOCK	1
C4	30130013	SWITCH BASER	1	C17	30130005	COVERS	1
C5	50060033	M6 NUTS	2	C18	50080068	2. 9X13 PLASTIC NAIL	8
C6	50230016	ENDDING	6	C19	30070021	PRESSING BOARD	
C7	70120007	WIRE (WITH)	1	C20	30190038	WIRE PROTECTOR	2
C8	50230008	PLUG&CONNECTING	4	C21	50190040	POWER PLUG & CORD	2
C9	50230018	BLUE SETS	4	C22	10130035	SMALL SPRING	1
C10	70120009	WIRE (BLUE)	1	C23	30130008	LOCK BASER	2
C11	70120008	WIRE (BLACK)	1	C24	30130007	LOCK	1
C12	10380069	INDUCTANCE	1	C25	50080104	2. 9X13 SCREWS	1
C13	10380069	SIWTCH	1	C26			1

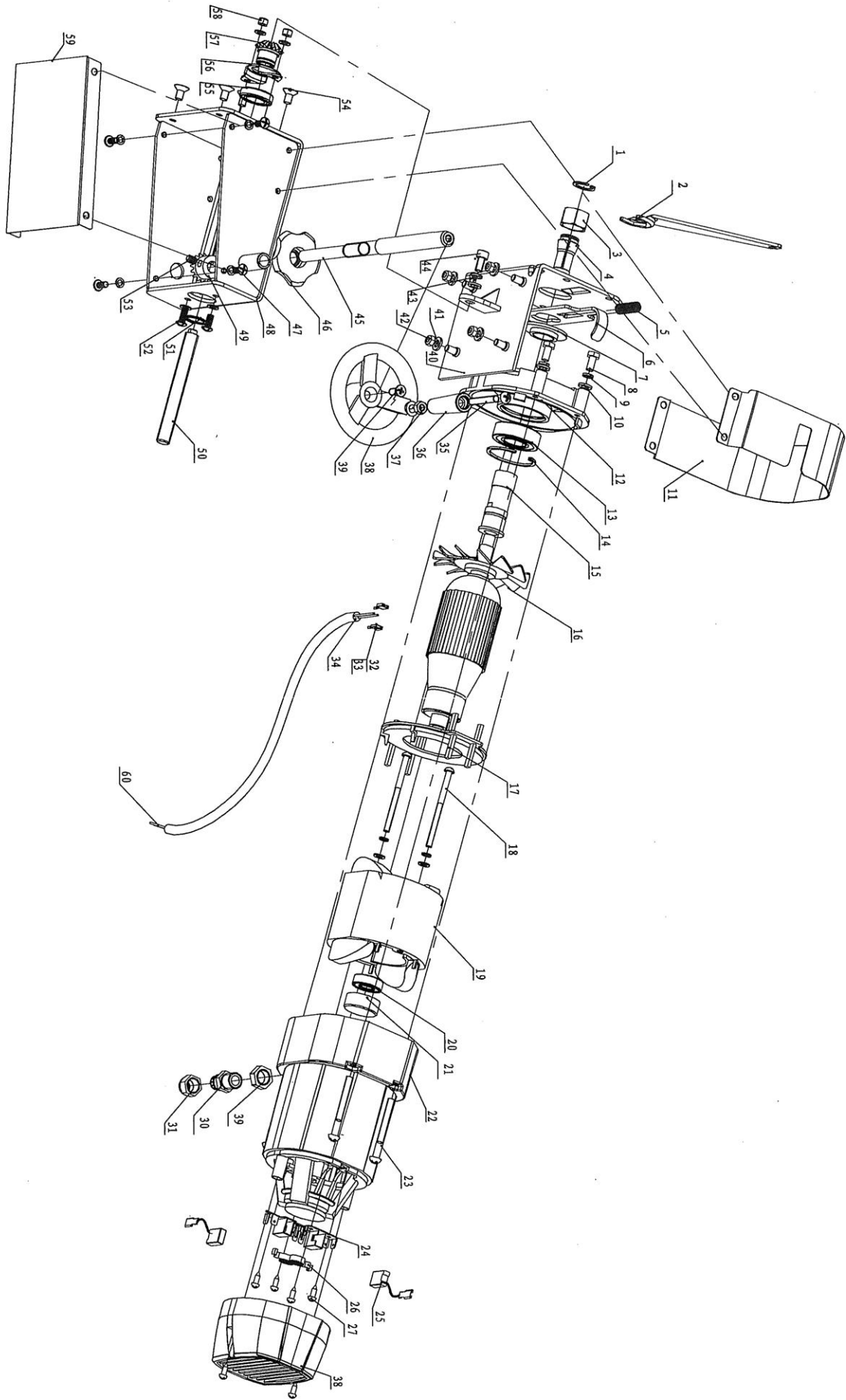
MOTOR PARTS

B1	50010100	M16 RING	2	B31	30590002	OUTER NUT	1
B2	10130044	WRECH	1	B32	50230008	PLUG&CONNECTING	2
B3	10130033	FIXING CAP	2	B33	50230018	BLUE SERS	2
B4	10130032	COLLECTOR 1/2 & 1/4	2	B34	70122257	CONNECTING WIRE	1
B5	10250004	PRESS SPRING	1	B35	50040046	M6X55 SCREWS	1
B6	10250005	LOCKING PIECES	1	B36	30060019	HANDLES	1
B7	10250006	DUST BLOCKER	1	B37	50060033	M6 NUTS	1
B8	50070010	M5X12 SCREWS	4	B38	30070015	HAND WHEELS	1
B9	50010022	SPRING WASHER	12	B39	50050019	M6X12 SCREW	1
B10	50010034	M5 WASHERS	8	B40	10250024	ADJUSTING PARTS	1
B11	20250001	FORNT COVER	1	B41	50010035	WASHER M6	12
B12	10250007	PROTECTORS	1	B42	50060023	M6 NYLON NUTS	4
B13	50240075	6004 BEARING	1	B43	50010023	M6 SPRING WASHERS	1
B14	50010103	M42 RING	1	B44	50030019	M6X12 SCREWS	1
B15	10250008	CONNTECTING SETS	1	B45	10250031	SHAFT	1

B16	10250009	RATOR	1	B46	30250001	LOCKING HANDLE	1
B17	30240025	PRESSING RING	1	B47	50040020	M5X6 SCREWS	8
B18	50040037	M5X70 SCRES	2	B48	10250025	FIXER PARTS	1
B19	10250010	SPINDLE	1	B49	10060108	GEAR A	1
B20	50240016	6000 2Z BEARING	1	B50	10250017	LONG POLE	1
B21	30240031	BEARING FIXING	1	B51	50010050	M17 RING	1
B22	30590003	MOTOR SHELL	1	B52	50040023	M5X12 SCREWS	2
B23	50040089	M5X55 SCREWS	4	B53	50030060	M6X8 SCREWS	1
B24	10240051	BURSH BOX	2	B54	50030095	M6X10 SCREWS	4
B25	10240043	CARBON BURSH	2	B55	50240048	61093 BEARING	1
B26	10240042	SPRINGS	2	B56	10250020	BEARING COVERS	1
B27	50080046	ST 4X12 SCREWS	6	B57	10250019	GEAR B	1
B28	30240024	BACK COVERS	1	B58	50060022	M5 NYLON NUTS	2
B29	30590004	INNER NUT	1	B59	10250021	GEAR COVER	1
B30	30590001	CONNTECTORS	1	B60	50230016	ENDDING	2







SERRACON GUARANTEE

SERRACON is proud of the quality power tools it sells. The component parts of our tools are inspected at various stages of production and each finished tools is subjected to a final check before being packaged for shipment. Because of our confidence in our engineering quality. SERRACON agrees to repair or replace any part or parts of FOX Power Tools and accessories which examination proves to be defective in workmanship or material. The warranty period for FOX brand is one year. Any alleged defective part or parts must be returned prepaid to SERRACON or one of the service centres. The guarantee does not include repair labour or parts replacement required because of misuse, abuse, or normal wear and tear. Repairs made by other than our factory, SERRACON service centre or authorized service station relieve SERRACON of further liability under this guarantee. THIS GUARANTEE IS MADE EXPRESSLY IN PLACE OF ALL OTHER GUARANTEES OR WARRANTIES, EXPRESSED OR IMPLIED, WITH RESPECT TO QUALITY, MERCHANTABILITY, OR FITNESS FOR A PARTICULAR PURPOSE.



CE DECLARATION OF CONFORMITY

SERRACON

WHEATFIELD ROAD

DUNNIKIER BUSINESS PARK

KIRKCALDY, UK, KY1 3PD

Tel. +44 (0) 1592 652946 Fax: +44 (0) 1592 654854

EC DECLARATION OF CONFORMITY

**Certificate for EC-type examination delivered by TÜV Rheinland Product Safety GmbH – Am Grauen Stein –
D-51105 Köln GERMANY (Registration n°: AN 50164143 0001)**

Person who declares : Robert Paterson

CE

10.03.2010

The Director

Robert Paterson